

# Kitchen Appliances Check List

**Welcome** to the best kitchen cabinets in the Treasure Valley. We take pride and great care in designing and manufacturing the cabinets for what will be the heart of your home—your kitchen.

Help make your kitchen cabinet project a success! By bringing us the specifications sheets for your major kitchen appliances you will help insure that your bid and your final project are completed in an accurate, timely manner.

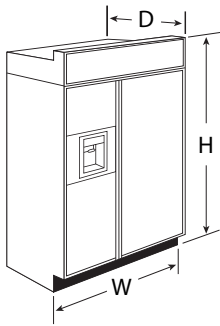
**What To Do:** 1. Gather the specifications sheets for each of the major appliances you plan to install

in your kitchen. Keep in mind you're looking for the sheets with dimension diagrams and cutout diagrams like those shown below.

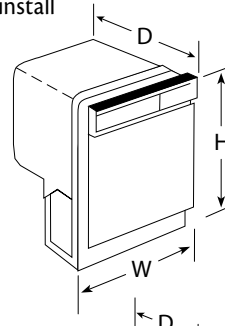
2. You'll be of the most benefit if you bring your sheets to your taping appointment with Brett or Ken.

3. You can also email your sheets to: wilhat@mindspring.com, attention Travis or Dale.

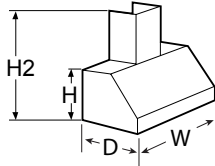
You can also bring your sheets to our office at 8025 W Woodlark St., off of Victory Rd, between Maple Grove and Cole. Please do *not* fax your sheets.



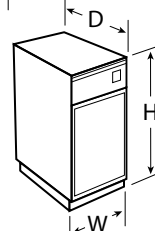
- Refrigerator/Hinge
- Decorative Panel



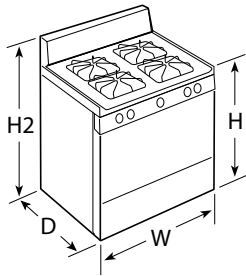
- Dishwasher
- Decorative Panel



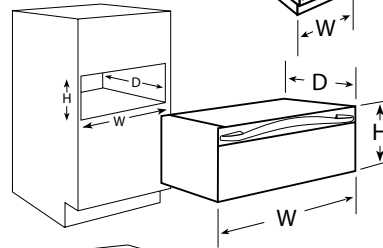
- Range Hood



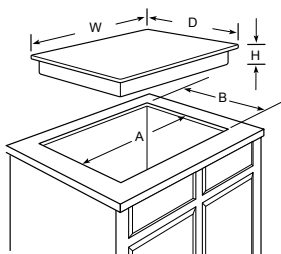
- Trash Compactor
- Decorative Panel



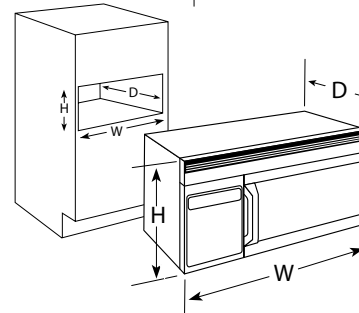
- Range



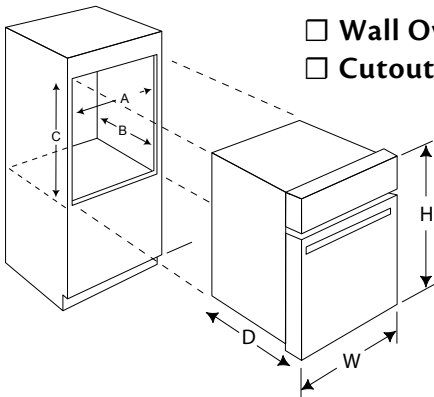
- Warming Drawer
- Cutout



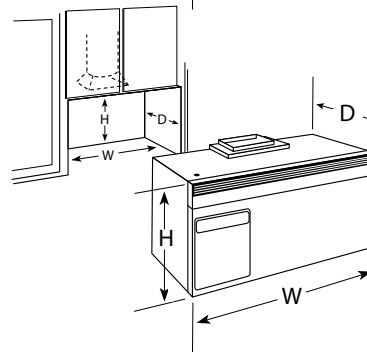
- Cooktop
- Cutout



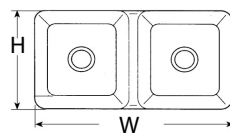
- Wall Microwave
- Trim Kit Cutout



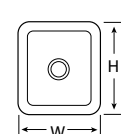
- Wall Oven(s)
- Cutout(s)



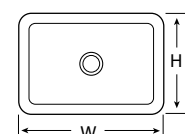
- Counter Microwave
- Cutout



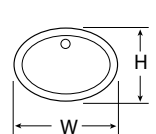
- Double sink



- Single sink



- Laundry sink



- Bath sink